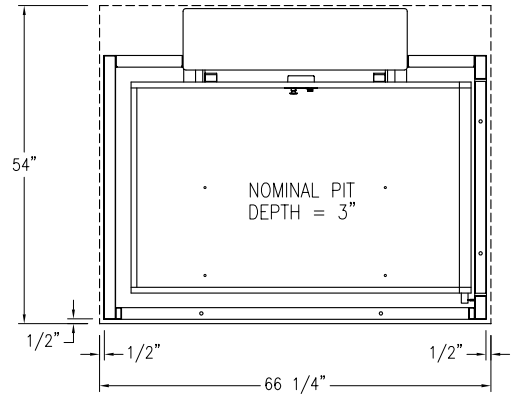
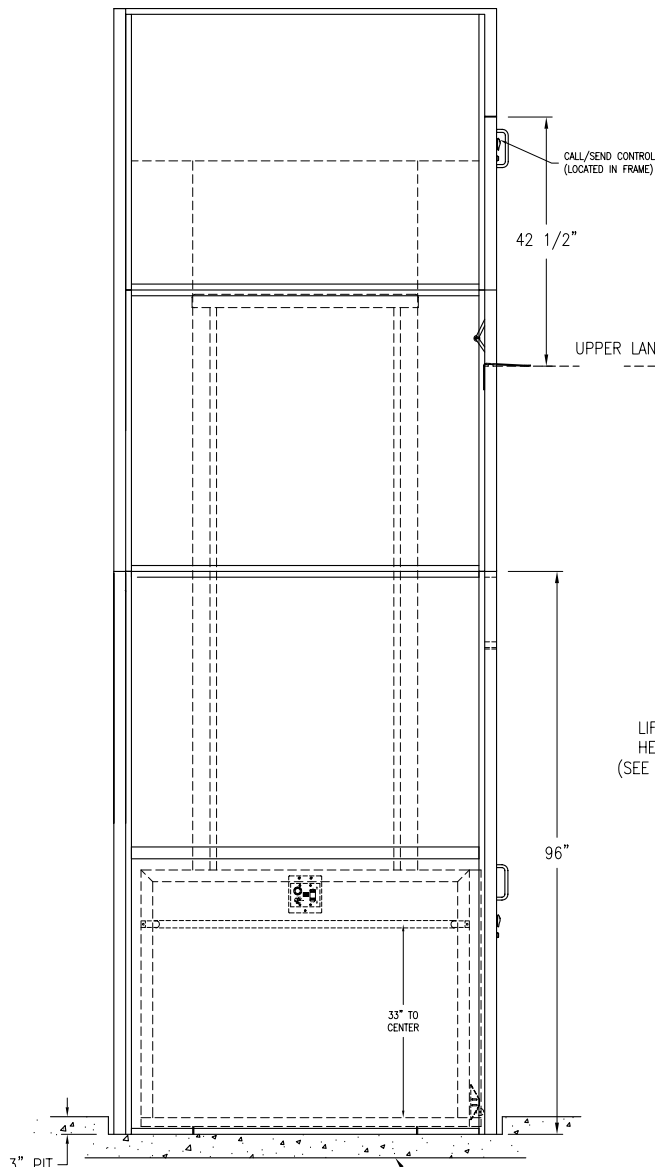


PLAN VIEW

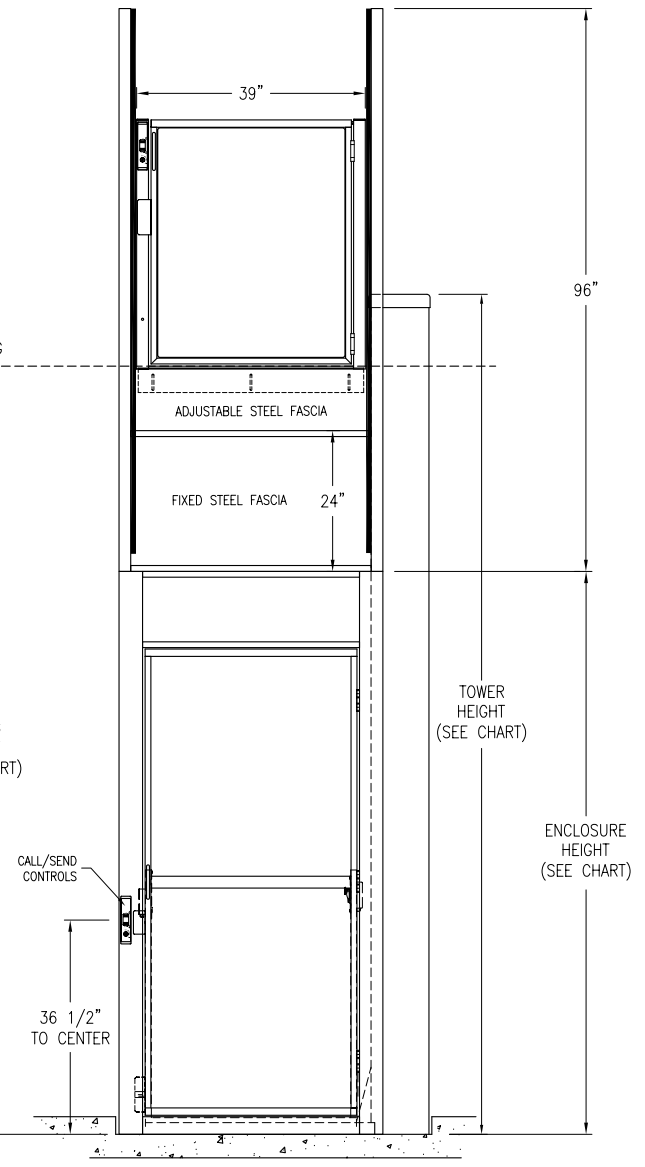


PIT LAYOUT



FRONT ELEVATION

4" THICK 3500 PSI REINFORCED CONCRETE SLAB



LOWER LANDING SIDE ELEVATION

NOT AVAILABLE WITH GATE

MODEL	W/Gate	W/Door	Max. Lifting Ht.	Max. Lifting Ht.	Tower Height	Enclosure Height	Enclosure Height
96			98"	99"	119.25"	168"	192"
120			122"	123"	143.25"	192"	192" or 216"
144			146"	147"	167.25"	192"	216" or 240"
168			170"	171"	191.25"	216"	240" or 264"

			MODEL:		
			DEALER:		
			CUSTOMER:		
VERTICAL PLATFORM LIFT Enclosure PL-EZE Same Side (Pit Mount)			JOB or P.O.#:		
SCALE:	DATE:	ORDER NUMBER:			
NTS	10/24/00	PL-EZE 05			