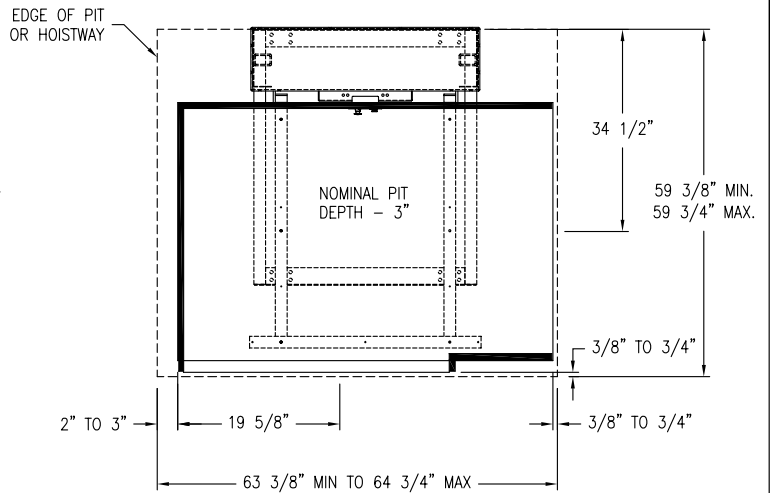
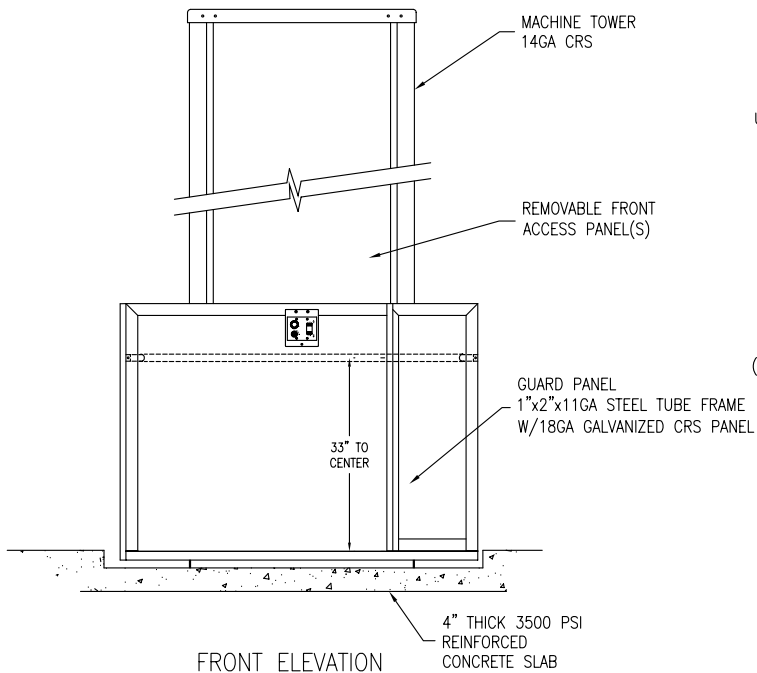


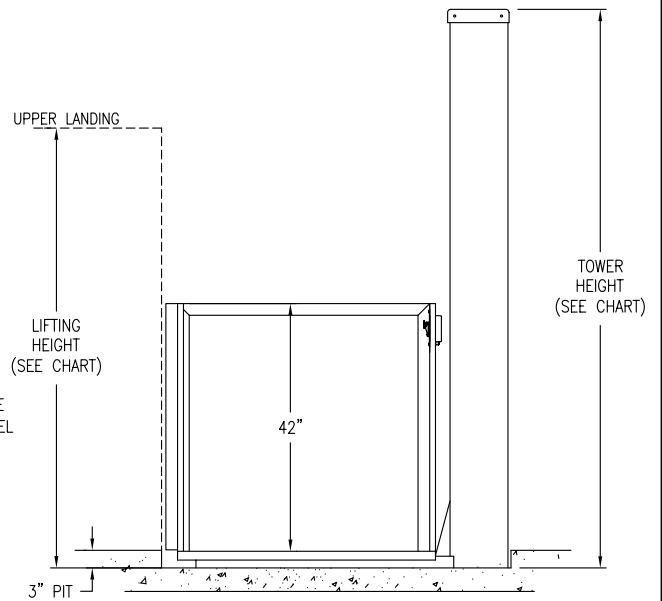
PLAN VIEW



HOISTWAY OR PIT LAYOUT



FRONT ELEVATION



LOWER LANDING SIDE ELEVATION

MODEL	Max. Lifting Ht.	Tower Height
36	39"	59.25"
50	53"	73.25"
72	75"	95.25"
96	99"	119.25"
120	123"	143.25"
144	147"	167.25"
168	171"	191.25"

ThyssenKrupp Access		MODEL:	
ThyssenKrupp		DEALER:	
PORCHLIFT. VERTICAL PLATFORM LIFT PL-S 90° Exit Extended Platform		CUSTOMER:	
		JOB or P.O.#:	
SCALE:	DATE:	ORDER NUMBER:	
NTS	03/24/05	PL-S 07	