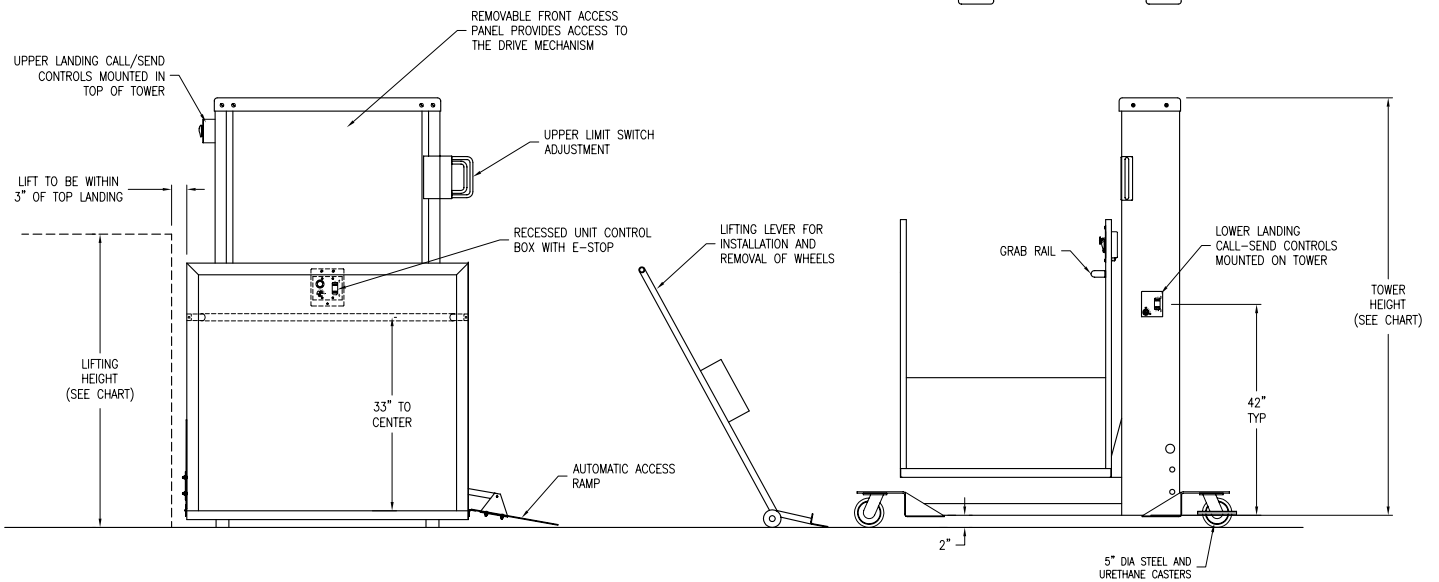
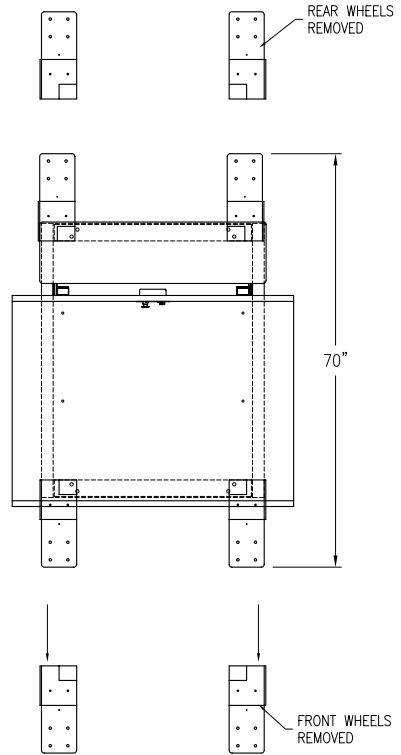


RUNNING CLEARANCES





FRONT ELEVATION

NOTE:
WHEELS MUST BE REMOVED
BEFORE UNIT IS PUT INTO
OPERATION.

LOWER LANDING SIDE ELEVATION

MODEL	Max. Lifting Ht.	Tower Height
36"	36"	59.25"
50"	50"	73.25"
72"	72"	95.25"

ThyssenKrupp Access 		MODEL:
 VERTICAL PLATFORM LIFT PL-P Portable Straight-thru Platform		DEALER:
		CUSTOMER:
		JOB or P.O.#:
SCALE:	DATE:	ORDER NUMBER:
NTS	10/24/00	PL-PORT