



HOISTWAY REQUIREMENTS

GENERAL SPECIFICATIONS

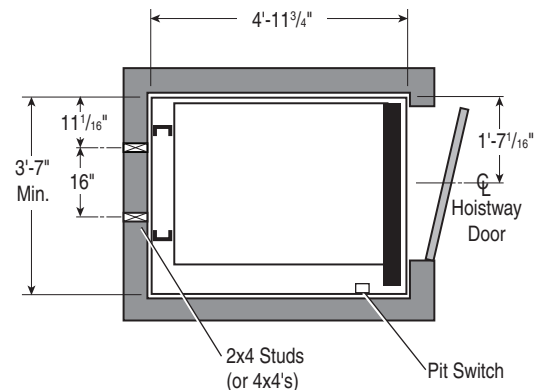
- Car Size:** 32" x 48" x 75¹/₄" (10.7 ft²)
- Rated Load:** 500 lbs. (227kg)
- Rated Speed:** 20 fpm (0.1 mps)
- Travel:** 16' maximum (4.9m)
- Power Supply:** 115 VAC, 60 Hz, 20 AMP
- Motor:** 3/4 hp, 110 VAC, 60 Hz, single phase
- Drive:** 80:1 reduction helical worm gear
- Controls:** Automatic push button car and landing control buttons
- Interior Finish:** Wall panels - White or paintable laminate panels
Ceiling - White or paintable laminate panel
Floor - Steel floor with Ivory powder coat
Lighting - Surface mounted light with on-off switch
- Doors:** White accordion car gate
Two Access Electric Strike Interlocks provided for hoistway doors (doors by others)
- Other Standard Features:** Telephone jack
Manual lowering device
Final and ultimate limit switches
Car gate safety switch
Slack rope safety
Pit stop switch
Car top stop switch
Final limits (2 upper, 1 lower)
Emergency stop button in car with audible alarm
31" wide threshold ramp
- Optional Features:** Handrail
Recessed telephone cabinet (brushed stainless steel or bronze cover)
Light oak laminate car panels
Keyed controls

Dimensions and specifications are subject to constant change (without notice) due to continually evolving codes and product applications.

Elevator configurations and dimensions are in accordance with ThyssenKrupp Access' interpretation of the standards set forth by ASME and the ADA. Please consult ThyssenKrupp Access for more specific information pertaining to your project, including any deviation between referenced standards and those of any local codes or laws.

All dimensions, illustrations and specifications comply with product design as of date of publication and are subject to change without notice.

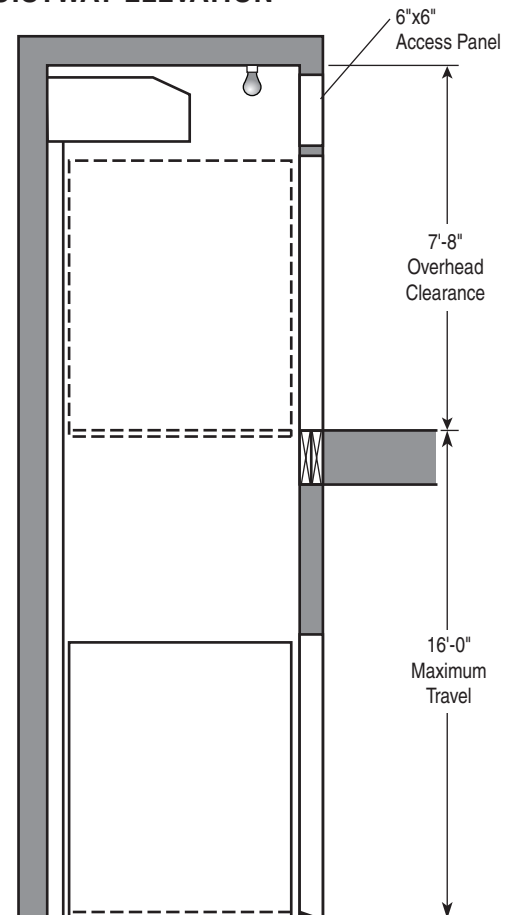
HOISTWAY PLAN



Dimensions are to inside finished walls.

Left hand car shown, right hand car opposite.

HOISTWAY ELEVATION



ThyssenKrupp Access



ThyssenKrupp

4001 East 138th Street
Grandview, MO 64030-2837
Phone: 800-829-9760