

Levant Standard/Select BOS Stair Lift

Unit Dimensional Drawing

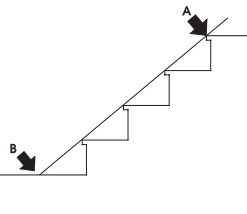
SPECIFICATIONS

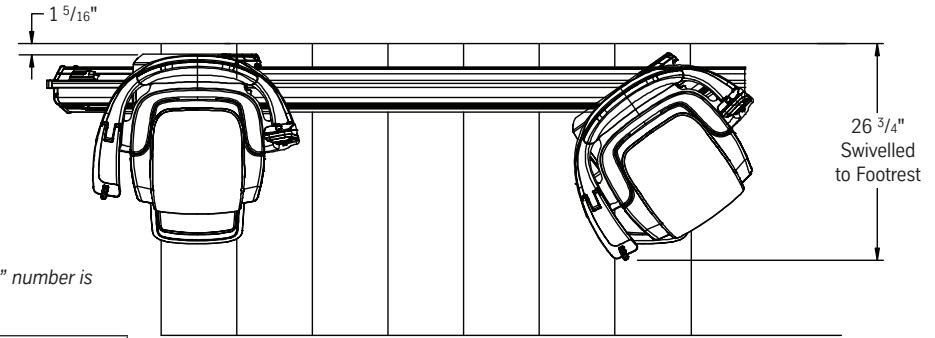
Rated Load: 280-298 pounds (127-138 kg)
Speed: 19.6 fpm (.10 ms)
Travel: 24.5' max. (7.5 m) (track length)
Incline limits: 28° to 45° (and up to 53° with local jurisdiction approval)
 CE and ETL Listed

STANDARD EQUIPMENT

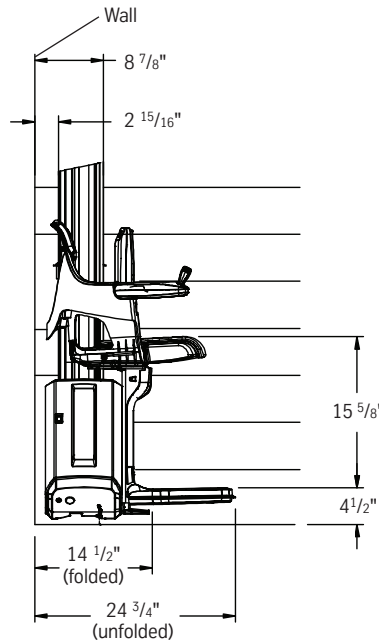
Drive System: Rack and pinion
Motor: 1/2 hp, 24 VDC (reversible)
Control system: Battery operated system (BOS); 24VDC with SoftStart control board
Electrical connection: Single phase 85 W for battery charger
Controls: Wireless armrest control with constant pressure joystick installed on down side, Infra-red call/send at both landings, on/off switch on unit
Charging Stations: Integrated charge stations at top and bottom, charge fault alarm, low battery indication through audible alarm, reduced speed
Brake: Self-locking worm gear
Track: 5 15/16" wide anodized aluminum
Track Length: 16' stock
Track Finish: Clear anodized
Unit Finish: Ivory white
Upholstery:
 Levant Standard: unupholstered
 Levant Select: Sisal vinyl fabric over padded seat and seat back
Seat: 25.2" wide seat (19.1" between arms) with two folding arms, folding seat, and 70° locking swivel seat at top landing
Safety Devices:
 Carriage obstruction sensors
 Footrest obstruction sensors
 Swivel seat cut-off switch
 Final limit switches
 Seat belt
Warranty: Five years on drive train and two years on all component parts

*Dimensions are based on a 35° stair angle.
 See chart below for quick track length calculations (Note: the "add" number is NOT upper track extension, but to get total track length):

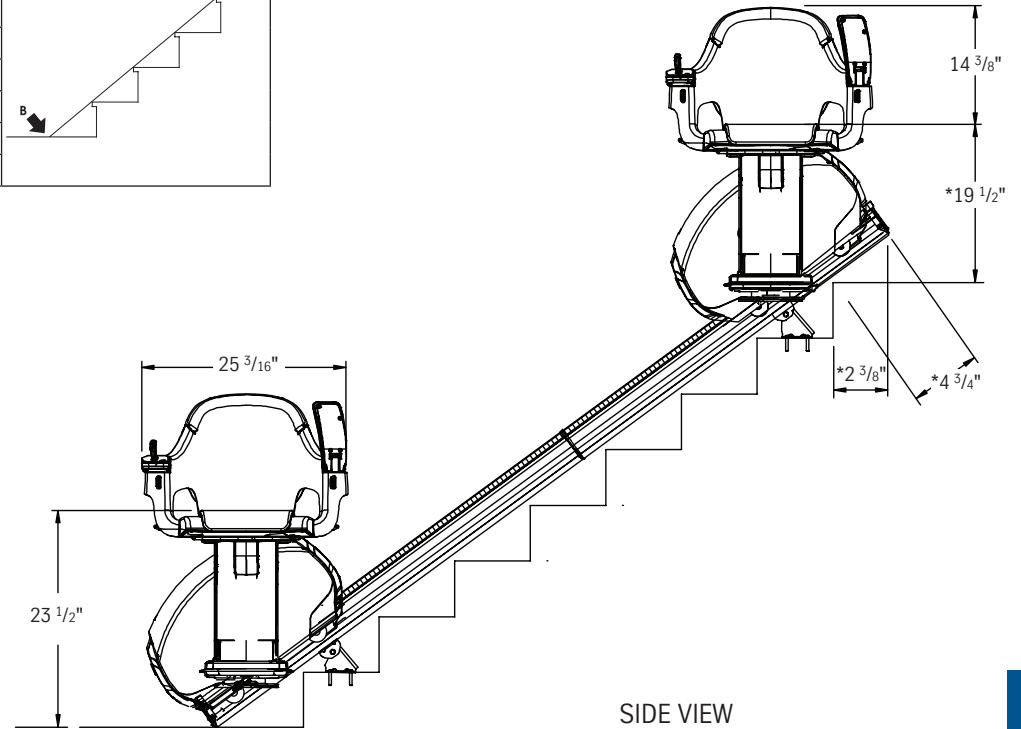
Seat Height at Top of Stairs	Add to A to B measurement	A to B (top nose to ground)
19"	8" <i>(use this if there is a door/obstruction at the top)</i>	
20"	10"	
21"	11.5"	
22"	13"	
23"	15"	
24"	16"	



TOP VIEW



END VIEW



SIDE VIEW

ThyssenKrupp Access
 Accessibility Division



ThyssenKrupp